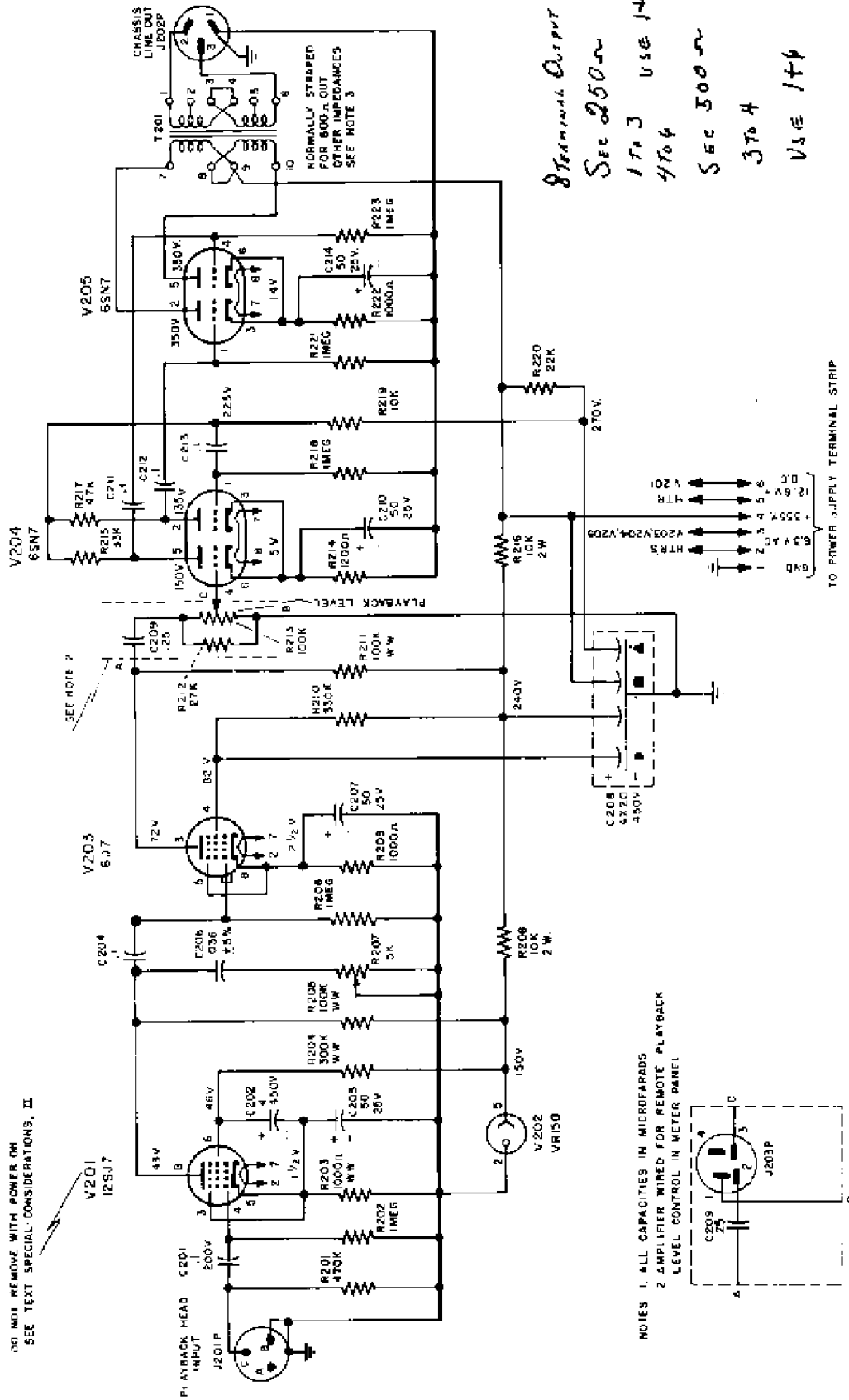
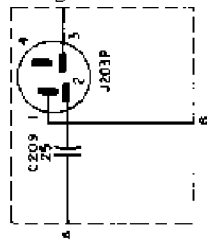


DO NOT REMOVE WITH POWER ON  
SEE TEXT SPECIAL CONSIDERATIONS, II



8 Terminal Output Transformer  
Sec 250Ω  
1T3 USE 144  
4T64  
Sec 300Ω  
3T64  
USE 144

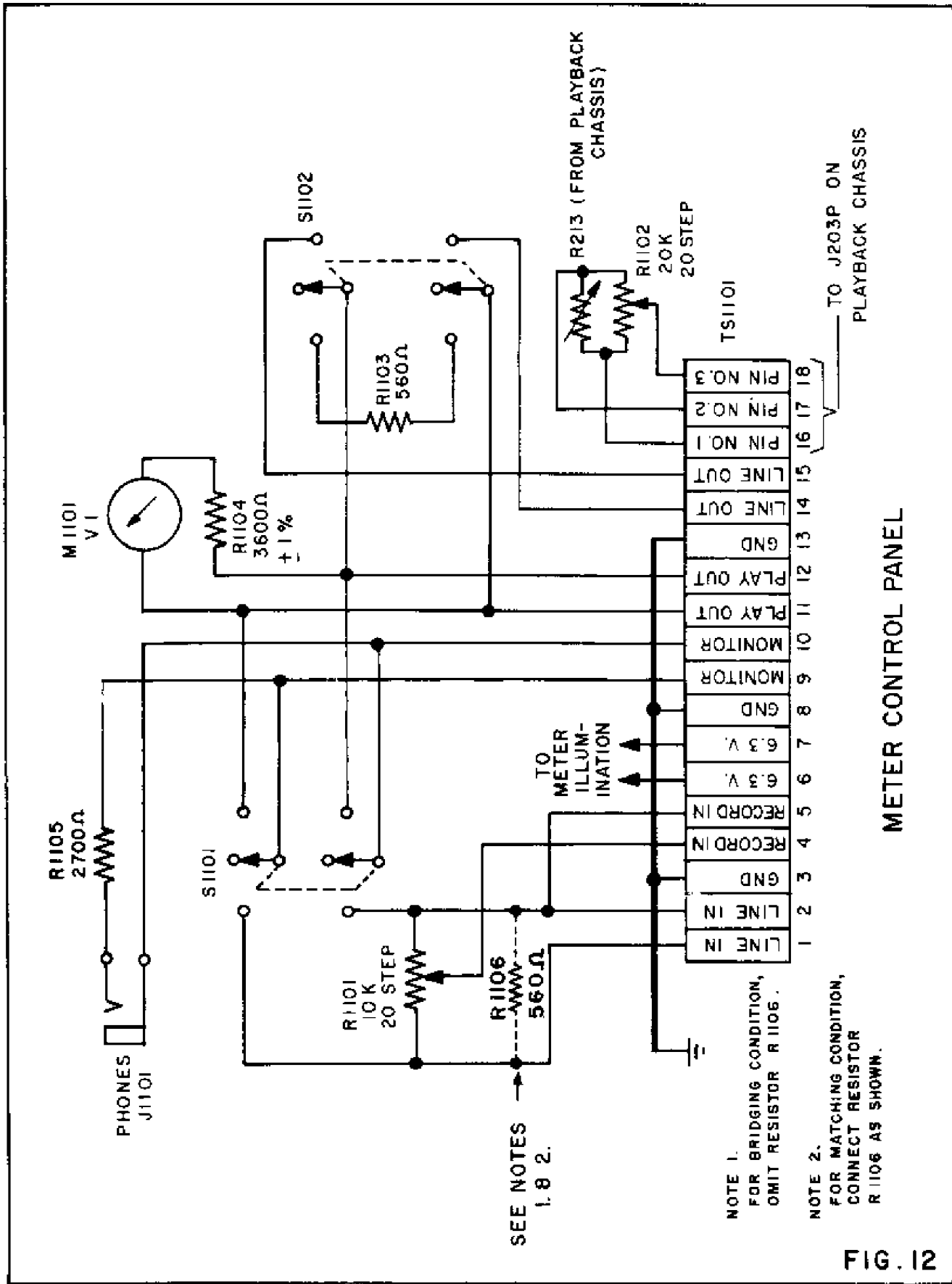
- NOTES
1. ALL CAPACITIES IN MICROFARADS
  2. AMPLIFIER WIRED FOR REMOTE PLAYBACK LEVEL CONTROL IN METER PANEL



3. 600 OHMS CONNECT TO 1 & 6, JOIN 3 TO 4
- 350 OHMS CONNECT TO 1 & 5, JOIN 5 TO 4
- 250 OHMS CONNECT TO 1 & 6, JOIN 2 TO 3 (APPROX.)
- 200 OHMS CONNECT TO 2 & 5, JOIN 3 TO 4
- 125 OHMS CONNECT TO 1 & 4, JOIN 1 TO 3 & 4 TO 5
- 50 OHMS CONNECT TO 7 & 4 JOIN 2 TO 3 & 4 TO 5

**PLAYBACK AMPLIFIER  
MODEL 300**  
AMPEX ELECTRIC CORPORATION  
SAN CARLOS, CALIFORNIA

FIG. 8

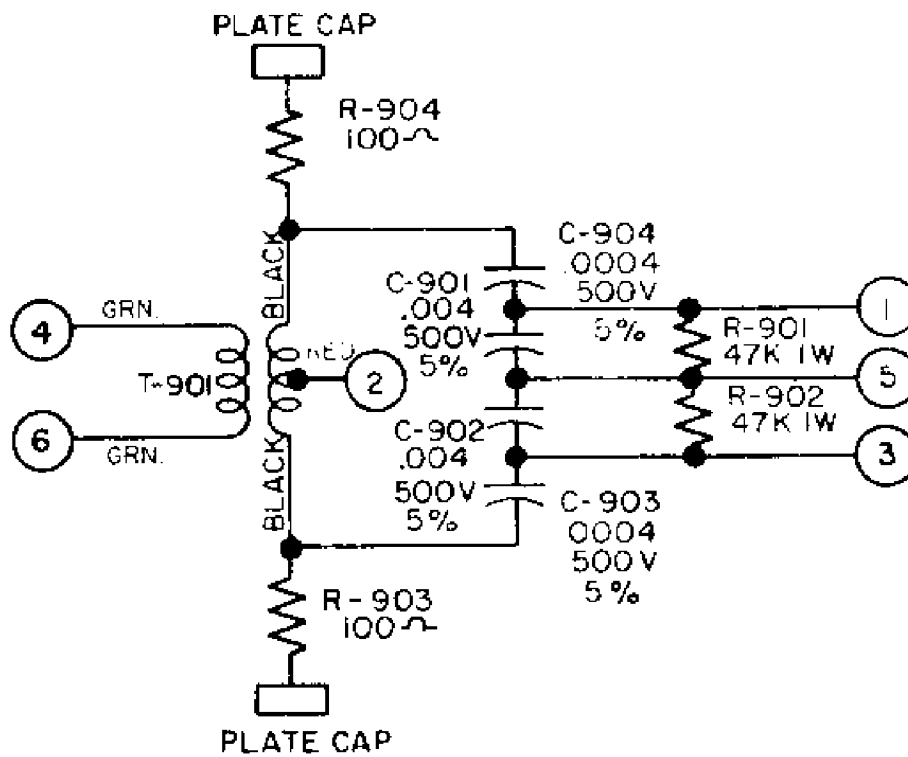


METER CONTROL PANEL

NOTE 1.  
FOR BRIDGING CONDITION,  
OMIT RESISTOR R 1106 .

NOTE 2.  
FOR MATCHING CONDITION,  
CONNECT RESISTOR  
R 1106 AS SHOWN .

FIG. 12



OSCILLATOR COIL ASSEMBLY  
 MODEL 300  
 AMPEX ELECTRIC CORPORATION  
 REDWOOD CITY, CALIFORNIA

FIG 15